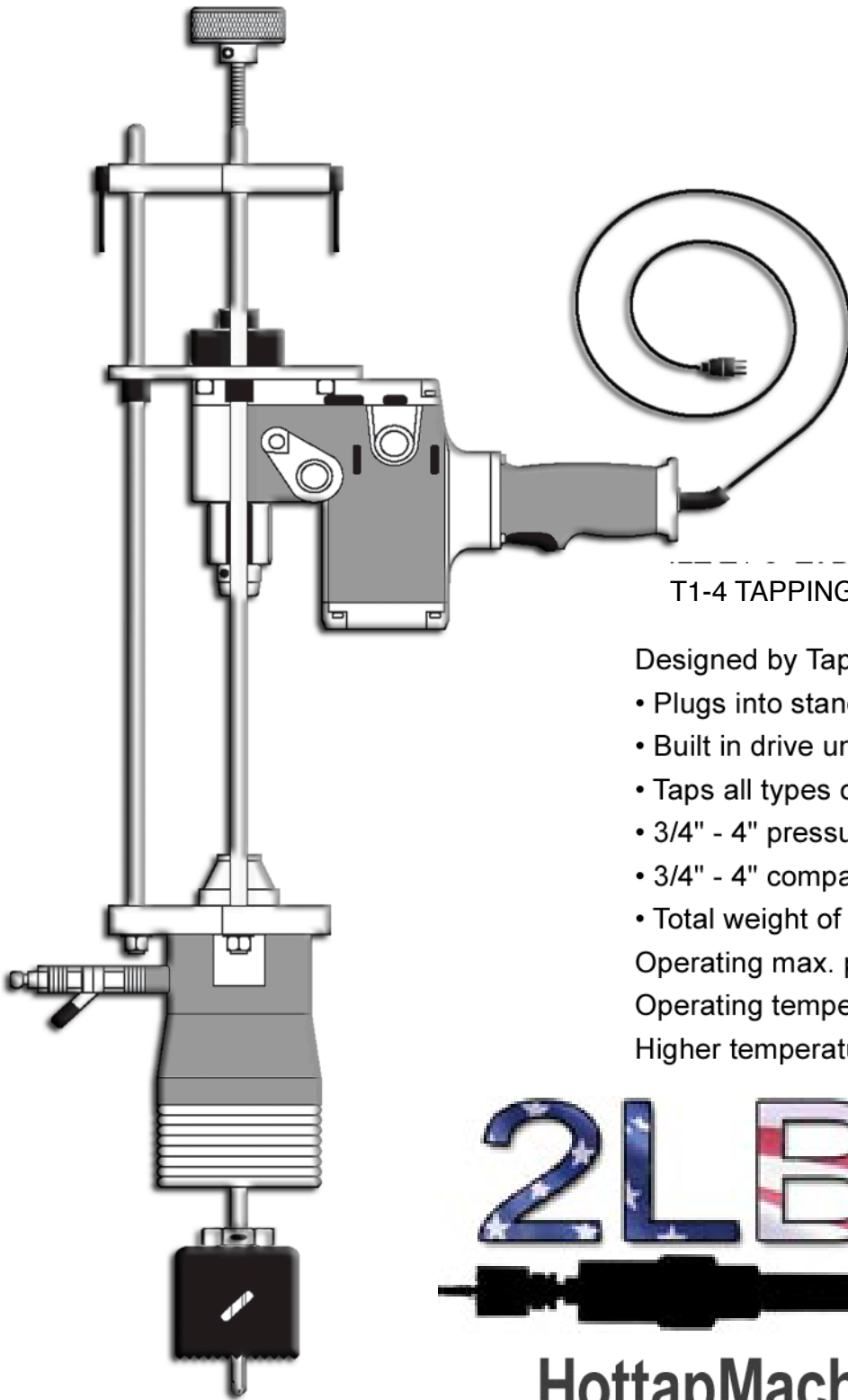


T1-4 TAPPING MACHING



T1-4 TAPPING MACHINE

Designed by Tappers for Tappers

- Plugs into standard 110 outlet
- Built in drive unit
- Taps all types of pipe quickly and safely
- 3/4" - 4" pressure tap-ins
- 3/4" - 4" compatible for line stopping
- Total weight of machine- 28lbs..

Operating max. pressure 300 psi. @ 100° F

Operating temperature 250° F @ 200 psi.

Higher temperature kit is available

2LBIN.COM



HottapMachine.com

800-221-3332